

TO ALLEVIATE YOUR BURDEN AND SAVE OUR NATURE,
PLEASE,
IF POSSIBLE,
PUT DOWN THE PAPER CATALOG,
AND TAKE OUR E-CATALOG WITH YOU.
WE WILL BE APPRECIATED.



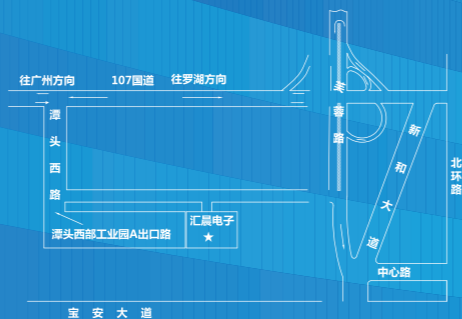
UNISHINE

LED lighting manufacturer with over 8 years of OEM&ODM experience

 Shenzhen Uni-shine Optoelectronic Co., Ltd.

Tel: 86-755-36693618
Direct Line: 86-755-36693618
Fax: 86-755-36693918
sales@unishineopto.com
www.unishineopto.com

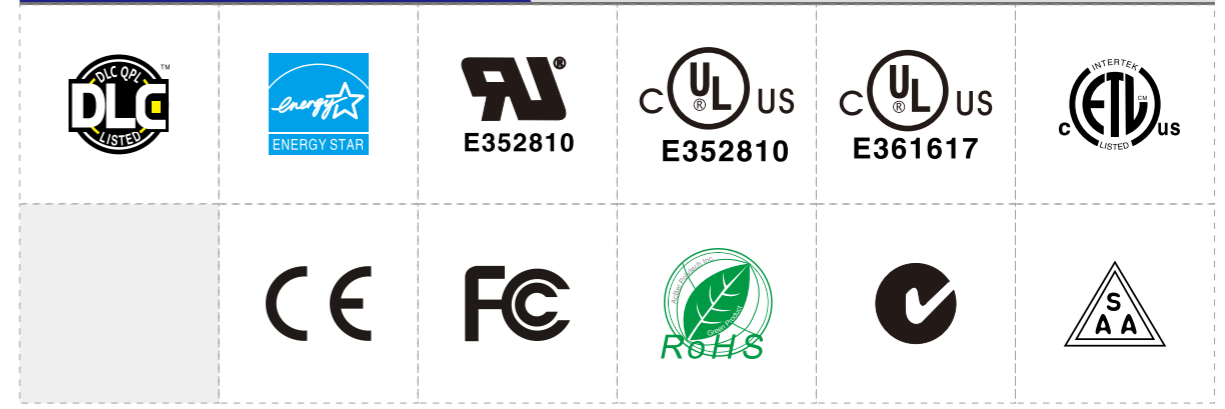
Building A32-36, Western Industrial Park, Tantou Village, Songgang town, Baoan District, Shenzhen, Guangdong, China
Post Code: 518105



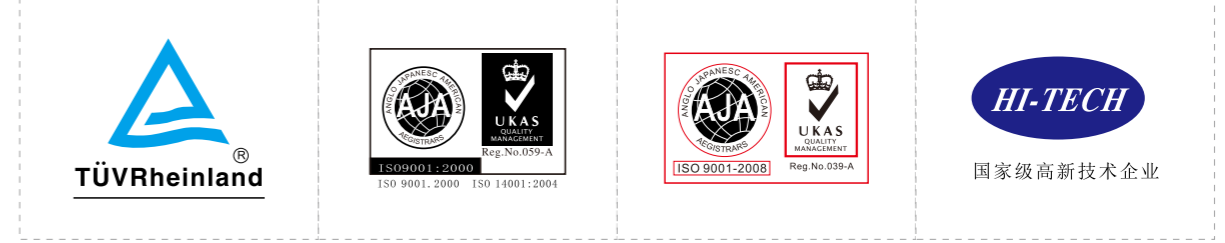


- Unishine was established in 2005, dedicates to research, design, manufacture and market varies of indoor LED lighting products.
- With complete certifications of cULus, Energy Star, ETL, NSF, CE, RoHS, FC-C, SAA, C-Tick.
- Factory covers an area of more than 10,000m², and over 1000 staff in-service, annual sales volume over US\$20 millions.
- Our management system and production have been deeply certified by ISO9001:2008, ISO14001: 2004, ISO/TS16949: 2009, audited by TUV, Bureau Veritas.

Product Qualifications



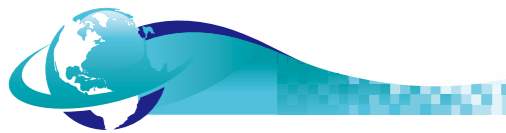
Company Qualifications



ISO/TS1694:2009

Cooperative Partners





Individualized Design

We have a professional R&D team composed of 52 superior engineers, products can be customized according to customer's requirements from the structure, appearance, label, trademark, certification, etc. That let customers more competitive in the process of the auction or sale.



Quality Control

We have more than 20 professional quality supervisors, every production procedure is monitored and any piece of Unishine's products passes 48 hours of endurance testing before shipping.



Delivery Time

Using ERP system of resources integration, arrange production scientifically, lead time of sample orders are 1 to 3 working days, and 5 to 10 working days for formal orders.

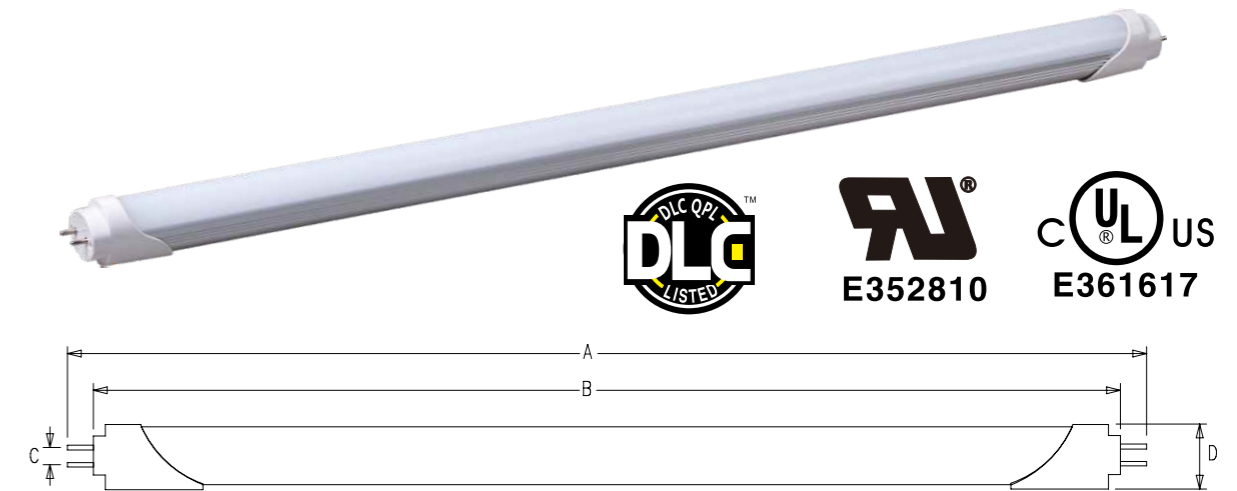


Warranty

All Unishine's products carry a guarantee period of three years. During the period of the warranty, Unishine undertakes to repair or replace free of charge either the whole product or any part of the product.

Product Features

- UL/cUL and DLC certified, it will help you get rebates.
- High CRI LED with LM80 test report, it will help you win the bidding.



T8 dimensions	A(mm)	B(mm)	C(mm)	D(mm)
60CM	604	588	13	26
120CM	1213	1198	13	26

HCL-T812P18S2XD-UL-X

Dimmable	Yes
Power	18W
Lumious Flux	1800lm±10%
Length	48"/4ft
Certification	DLC, UL, cUL, CE, ROHS

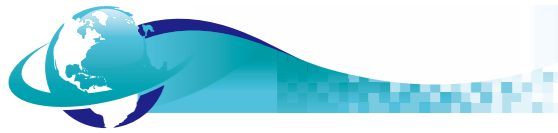
HCL-T812P18S3X-UL-X

Power	18W
Lumious Flux	1800lm±10%
Beam angle	120°
Length	48"/4ft
Certification	DLC, UL, cUL, CE, ROHS

HCL-T806P10S3X-UL-X

Power	10W
Lumious Flux	1000lm±10%
Beam angle	120°
Length	24"/2ft
Certification	DLC, UL, cUL, CE, ROHS





LED CORN BULBS ↙

LED PAR LIGHTS ↙

Product Features

- cULus approval, cULus file No. E352810.
- Unique design, 360 degree beam angle.
- E26 E27 G24d G24q base are available, G24 base type can replace traditional CFL lamps.
- Dimmable type can work on standard dimmers smoothly, and non-dimmable type available.
- Aluminum PCB board inside together with heat-sink panel outside makes better cooling effect
- Transparent with ribs cover makes light coming out more softly and evenly
- Widely used in big farms for animal growing

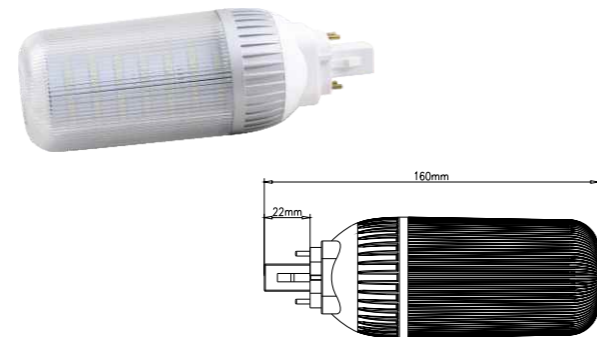
HCL-HTP10UL

Dimmable	Yes
Power	0-10W
Lumious Flux	880lm±10%
Dimension	D:58mm H:160mm
Lamp base	E26, E27
Housing Material	Aluminum+PC
Input Voltage	AC100~135V
Beam angle	360°
Certification	ES, UL, cUL, CE



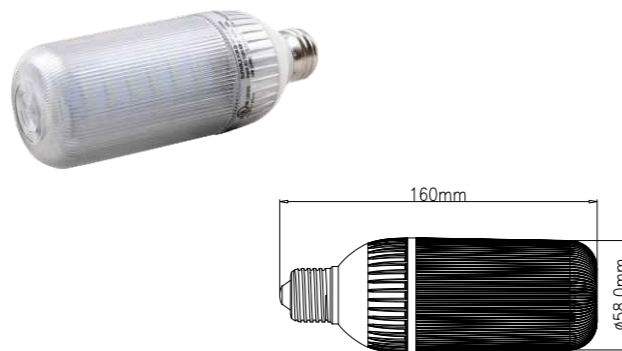
HCL-GXCB10X-EW1

Power	10W
Lumious Flux	880lm±10%
Dimension	D:58mm H:160mm
Housing Material	Aluminum+PC
Lamp base	G24d-1, G24d-2, G24d-3, G24q-1, G24q-2, G24q-3
Beam angle	360°
Input Voltage	AC100~240V



HCL-HTP10X-EW1

Power	10W
Lumious Flux	880lm±10%
Dimension	D:58mm H:160mm
Housing Material	Aluminum+PC
Lamp base	E26, E27
Beam angle	360°
Input Voltage	AC100~240V

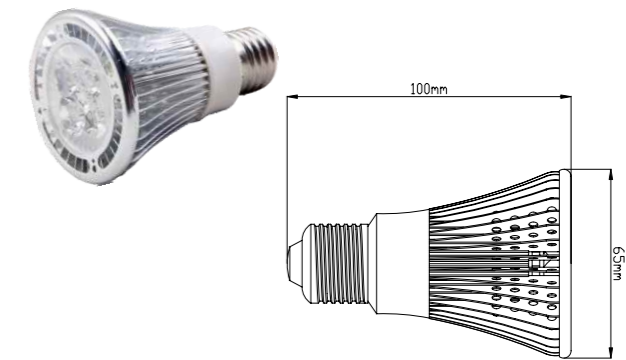


Product Features

- Compliance with USA and Canada safety requirements, cULus listed, file No. E352810.
- New version of PAR30/PAR38 high power spotlight adopts 2W LED as light source, with features of high efficiency, energy-saving, and long life span etc.
- We use advanced fin-circle buckled technology for our PAR30/PAR38 high power spotlight, solder the fins and the aluminum light body together, so the light can radiate heat through high density fins, cool the high temperature of the light, decrease the LED decay and improve the lifetime.
- The goods works on standard dimmers smoothly.

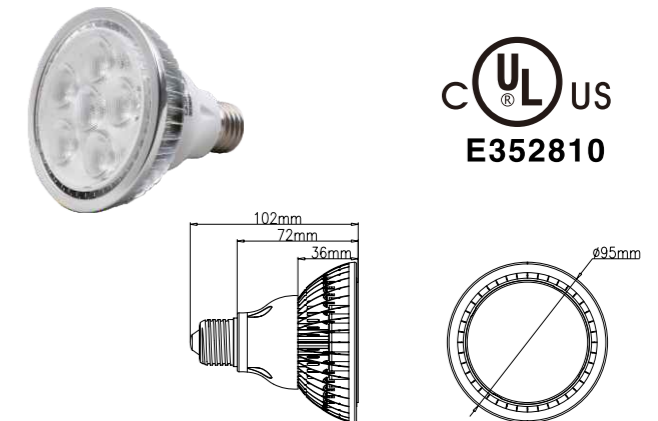
HCL-PAR20P6X-5RWX

Dimmable	Yes
Power	0-7W
Lumious Flux	650lm±10%
Dimension	D 65mm H100mm
Input Voltage	AC108~132V
Beam angle	25°, 40°
Lamp base	E26, E27
Housing Material	Aluminum+PC



HCL-PAR30UL

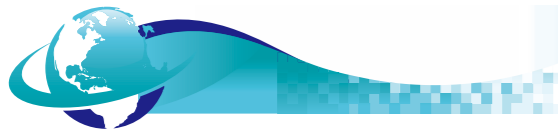
Dimmable	Yes
Power	0-11W
Lumious Flux	800lm±10%
Dimension	D 95mm H102mm
Input Voltage	AC108~132V
Beam angle	25°, 40°, 60°
Lamp base	E26, E27
Housing Material	Aluminum+PC
Certification	UL, cUL, CE, ROHS



HCL-PAR38UL

Dimmable	Yes
Power	0-16W
Lumious Flux	1200lm±10%
Dimension	D 119mm H 129mm
Input Voltage	AC108~132V
Beam angle	25°, 40°, 60°
Lamp base	E26, E27
Housing Material	Aluminum+PC
Certification	UL, cUL, CE, ROHS





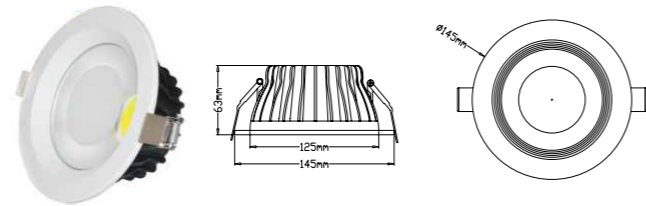
LED DOWNLIGHTS ↙

Product Features

- Adopt high light efficacy (>90lm/W) COB LED as lighting source, High CRI (>80Ra) COB LED is available for option.
- LED light radiator is of delicate design, to reach best effect of heat sinking and keep low working temperature.
- High efficiency recessed reflector guarantees focus illumination effect.
- LED driver of high conversion efficiency, compliant to safety standards and cULus Listed, CE, ROHS, SAA, C-TICK certificated.
- Product materials are fireproofed.
- All kinds of plugs for led drivers can be provided upon request.

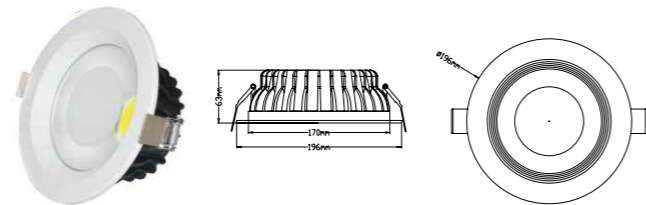
HCL-D401P12X-1

Power Consumption	12W
Lumious Flux	980 lm ± 10%
Dimension	D145 X 63 mm
Cut-out	D125mm
Housing Material	Aluminum+PC
Beam angle	80°
Input Voltage	AC 100-240 V



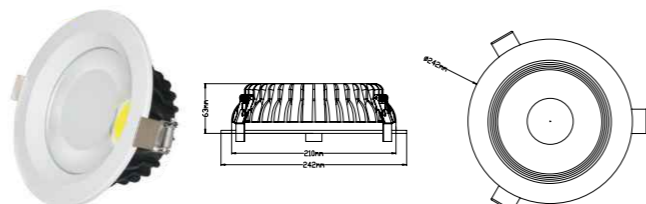
HCL-D601P20X-1

Power Consumption	20W
Lumious Flux	1600 lm ± 10%
Dimension	D196 X 63 mm
Cut-out	D170mm
Housing Material	Aluminum+PC
Beam angle	80°
Input Voltage	AC 100-240 V



HCL-D801P30X-1

Power Consumption	30W
Lumious Flux	2400 lm ± 10%
Dimension	D242 X 63 mm
Cut-out	D210mm
Housing Material	Aluminum+PC
Beam angle	80°
Input Voltage	AC 100-240 V



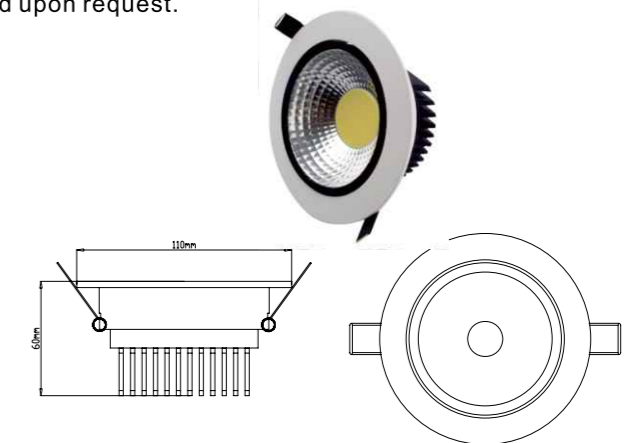
LED DOWNLIGHTS ↙

Product Features

- Adopt high light efficacy (100lm/W) COB LED as lighting source, High CRI (>80Ra) COB LED is available for option.
- LED light radiator is of delicate design, to reach best effect of heat sinking and keep low working temperature.
- High efficiency recessed reflector guarantees focus illumination effect.
- LED driver of high conversion efficiency, compliant to safety standards and cULus Listed, CE, ROHS, SAA, C-TICK certificated.
- Product material are fireproofed.
- All kinds of plugs for led drivers can be provided upon request.

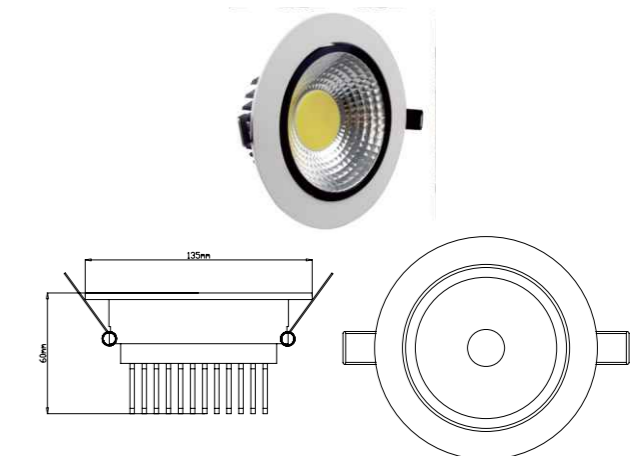
HCL-SPBP7X-1

Power Consumption	7W
Lumious Flux	600 lm ± 10%
Dimension	D110*60mm
Cut-out	90mm
Housing Material	Aluminum+glass
Beam angle	60°
Input Voltage	AC 100-240 V



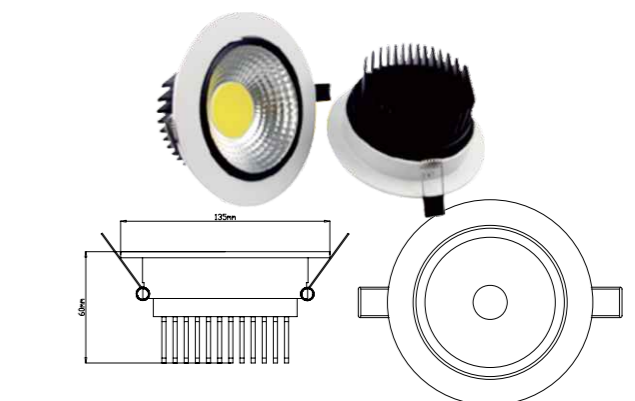
HCL-SPBP9X-1

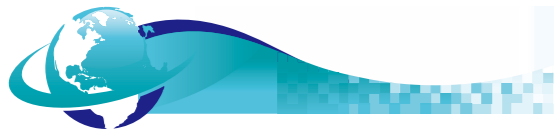
Power Consumption	9W
Lumious Flux	800 lm ± 10%
Dimension	D135*60mm
Cut-out	115mm
Housing Material	Aluminum+glass
Beam angle	60°
Input Voltage	AC 100-240 V



HCL-SPBP12X-1

Power Consumption	12W
Lumious Flux	1100 lm ± 10%
Dimension	D135*60mm
Cut-out	115mm
Housing Material	Aluminum+glass
Beam angle	60°
Input Voltage	AC 100-240 V



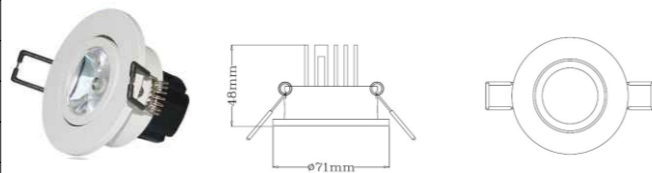


Product Features

- Adopt high light efficacy(>100lm/W) high power LED as lighting source, High CRI (>80Ra) LED is available for option.
- LED driver of high conversion efficiency, compliant to safety standards and cULus Listed,CE,ROHS, SAA,C-TICK certificated.
- Product material are fireproofed.
- All kinds of plugs for led drivers can be provided upon request.

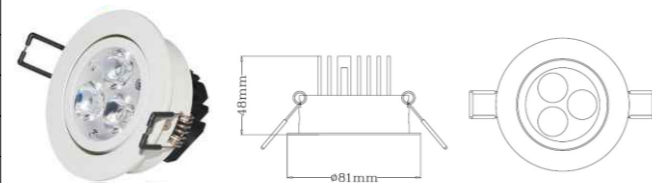
HCL-SPWP1X-1

Power	3W
Lumious Flux	140 lm ± 10%
Dimension	D71 X 48 mm
Cut-out	D60mm
Housing Material	Aluminum + PC
Beam angle	60°
Input Voltage	AC 100-240 V



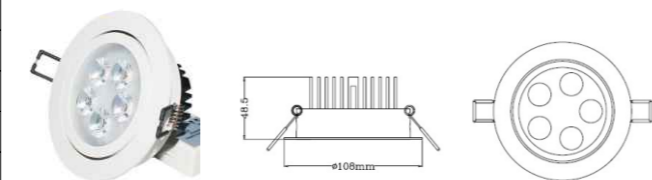
HCL-SPWP3X-1

Power	3W
Lumious Flux	260 lm ± 10%
Dimension	D81 X 48 mm
Cut-out	D75mm
Housing Material	Aluminum + PC
Beam angle	60°
Input Voltage	AC 100-240 V



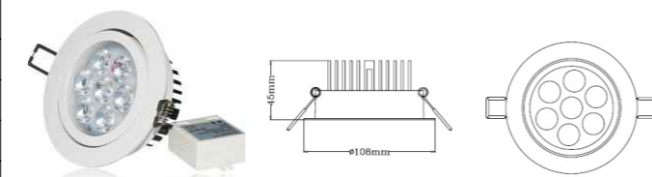
HCL-SPWP5X-1

Power	5W
Lumious Flux	400 lm ± 10%
Dimension	D 108 X 45 mm
Cut-out	D95mm
Housing Material	Aluminum + PC
Beam angle	60°
Input Voltage	AC 100-240 V



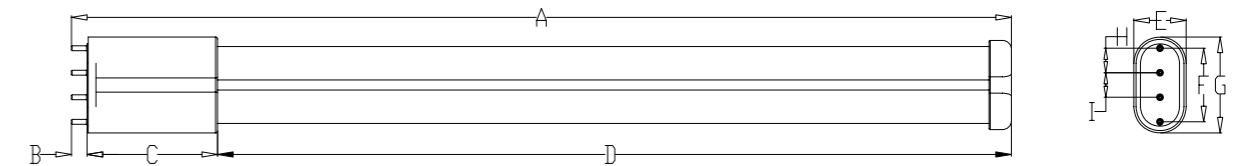
HCL-SPWP7X-1

Power	7W
Lumious Flux	560 lm ± 10%
Dimension	D108mm X 45 mm
Cut-out	D95mm
Housing Material	Aluminum + PC
Beam angle	60°
Input Voltage	AC 100-240 V



Product Features

- Private mould product.
- Works as replacement for PHILIPS MASTER PL-L or OSRAM DULUX series.
- Aluminum PCB board inside together with heat-sink panel outside makes better cooling effect
- Light Efficiency reach 85%,MTBF over 50,000 hours
- Dimmable and NON-dimmbale types for your option.
- Inner and outside power supply for your option.
- Milky and clear cover for your option.
- CE RoHS Certified



Power	A(mm)	B(mm)	C(mm)	D(mm)	E(mm)	F(mm)	G(mm)	H(mm)	I(mm)
6W	322	7.5	58	151.5	23.5	33	43	11	11
8W	322	7.5	58	246.5	23.5	33	43	11	11
12W	421.5	7.5	58	346	23.5	33	43	11	11
16W	542.5	7.5	58	459.5	23.5	33	43	11	11

HCL-2G11P6X-XWE

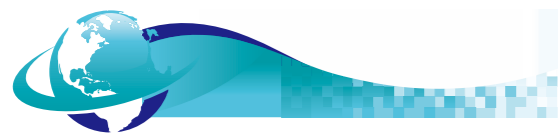
Power Consumption	6W
Replace traditional	18W
Lumious Flux	550Lm±10%
Dimension	227×43×24mm
Lamp base	2G11
Housing Material	Aluminum+PC
Input Voltage	AC:100~240V 50-60Hz



HCL-2G11P8X-XWE

Power Consumption	8W
Replace traditional	24W
Lumious Flux	700Lm±10%
Dimension	322×43×24mm
Lamp base	2G11
Housing Material	Aluminum+PC
Input Voltage	AC:100~240V 50-60Hz





2G11 LED PL LAMPS

LED SPOTLIGHTS

HCL-2G11P12X-XWE

Power Consumption	12W
Replace traditional	36W
Lumious Flux	1100Lm±10%
Dimension	420x43x24mm
Lamp base	2G11
Housing Material	Aluminum+PC
Input Voltage	AC:100~240V 50-60Hz



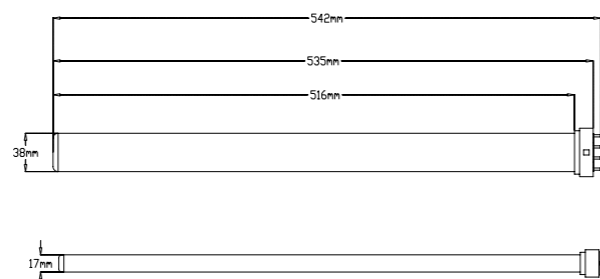
HCL-2G11P16X-XWE

Power Consumption	16W
Replace traditional	40W/55W
LED type LED	130pcs SMD3014
Lumious Flux	1400Lm±10%
Dimension	542x43x24mm
Lamp base	2G11
Housing Material	Aluminum+PC
Input Voltage	AC:100~240V 50-60Hz



HCL-2G11P20X-XWE

Power Consumption	20W(Single Tube)
Replace traditional	55W
Lumious Flux	1900Lm±10%
Dimension	542x38x17mm
Lamp base	2G11
Housing Material	Aluminum+PC



Product Features

- Works as replacement for halogen lamp
- Using high lumen LED as light source, the light efficacy can be 110LM/W
- Good heat dissipation, long lifespan is about 50,000 hours
- Fully complied to CE RoHS

HCL-MRP3X-1S6

Power Consumption	3W
Lumious Flux	350lm±10%
Housing Material	Aluminum+PC
Dimension	D: 48.3mm H: 46.5mm
Beam angle	25°
Lamp base	G5.3
Input Voltage	DC12-24V



HCL-MR16P3X-1S6W1

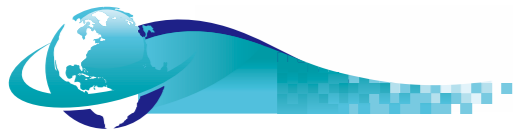
Power Consumption	3W
Lumious Flux	350lm±10%
Housing Material	Aluminum+PC
Dimension	D: 48.3mm H: 53.4mm
Beam angle	25°
Lamp base	Gu10
Input Voltage	AC85~265V



HCL-MR16P3X-1S6W2

Power Consumption	3W
Lumious Flux	350lm±10%
Housing Material	Aluminum+PC
Dimension	D:48.3mm H: 56mm
Beam angle	25°
Lamp base	E26/E27
Input Voltage	AC85~265V





LED CANDLE BULB ↙

LED G36 BULB ↙

Product Features

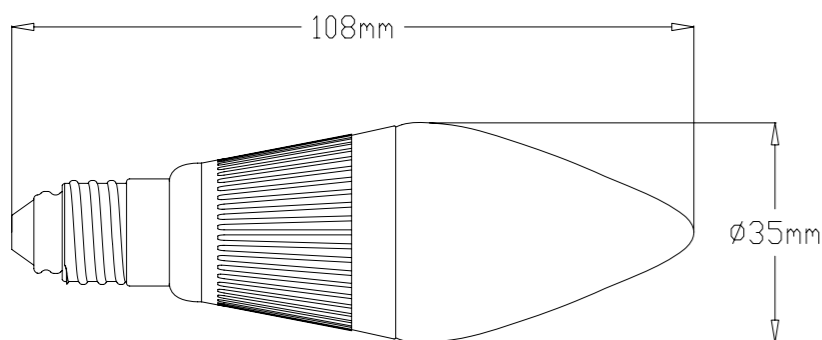
- The bulb uses a clever remote phosphor system to gain a spherical distribution of light, unlike earlier sno-cone LED bulbs.
- Intergrated driver, with regular lamp base, can be easily installed.
- Aluminum PCB board inside together with heat-sink panel outside makes better cooling effect.
- Using high brightness COB LED to insure stable performance, low light decay and long lifespan.
- Color rendering index more than 80Ra, MTBF over 50,000 hours.

Product Features

- Intergrated driver, with regular lamp base, can be easily installed.
- Aluminum PCB board inside together with heat-sink panel outside makes better cooling effect.
- Frosty PC cover makes light coming out more softly and evenly.
- Using high brightness Samsung SMD5630 LEDs to insure stable performance, low light decay and long lifespan.
- Light Efficiency more than 85lm/w, MTBF over 50,000 hours.

HCL-E1XP3-XW

Power Consumption	3W
Lumious Flux	180lm±10%
Housing Material	Aluminum+Glass
Dimension	35x108 mm
Beam angle	120°
Lamp base	E12, E14, E17
Input Voltage	AC100~240V 50Hz~60Hz



HCL-G36P4X-8QL1

Power Consumption	4W
Lumious Flux	350lm±10%
Housing Material	Aluminum+PC
Dimension	D:36mm H:75mm
Beam angle	140°
Lamp base	E12, E14, E17
Input Voltage	AC100~135V 60Hz

