



## Specification

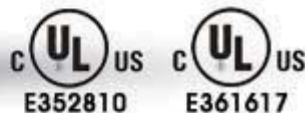
### 1. Model Number:

HCL-T812P18S3X-UL-X

#### Remarks:

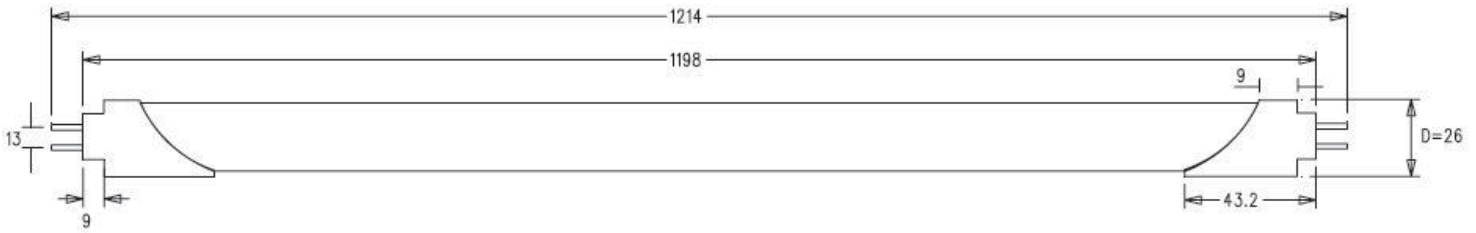
- "12" stands for length 120cm.
- The 1<sup>st</sup> "X" stands for color temperature, **W** means warm white, **N** means natural white, **P** means pure white, **C** means cool white.
- The 2<sup>nd</sup> "X" stands for cover, **C** means clear cover, **F** means frosty cover.

### 2. Picture:





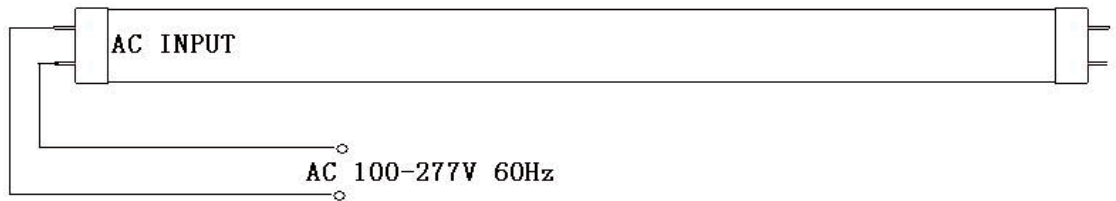
3. Dimension(Unit:mm,±0.5mm):



4. Intramural electro circuit:



5. Driving(test) circuit:



6. Technical data:

Parameter	symbol	Data	Unit
Size	Ø x L	Ø26 x L1214	MM
Power Consumption	W	18	W
Input Voltage	V	AC100 -277V 60Hz	--
* Luminous Flux(10w)	Flux	1800±10%	Lm
LED Type/Q'ty	--	120pcs 2835 SMD	--
* Color Temperature (18w)	Tc	Warm white: 2700-3300 Natural white: 3900-4600 Pure white: 4900-5800 Cool white: 6000-7200	K

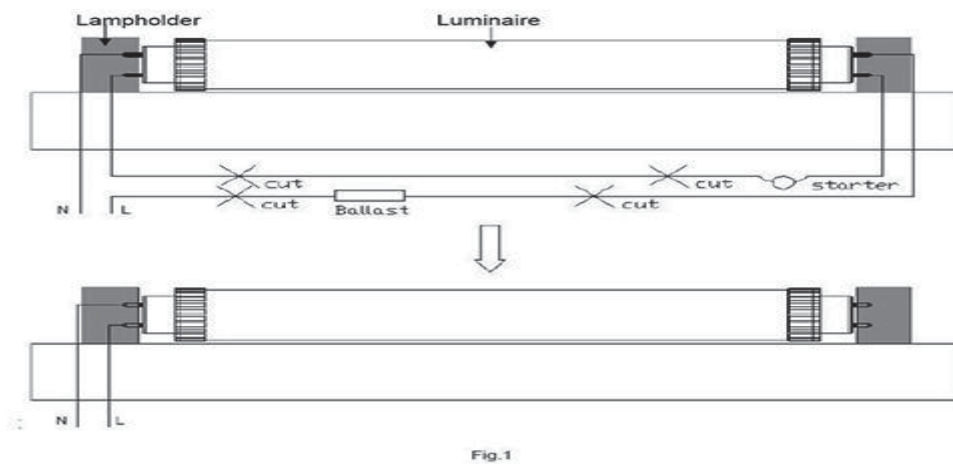


* Color Rendering Index(18w)	Ra	70	--
Beam Angle	--	120	Deg(°)
Body Temperature	--	≤55℃(at room temperature 28℃)	℃
Operation Temperature	--	- 20~+40	℃
Base	--	G13	--
Outer Housing Material	--	Aluminum + PC	--
IP grade	--	54	--

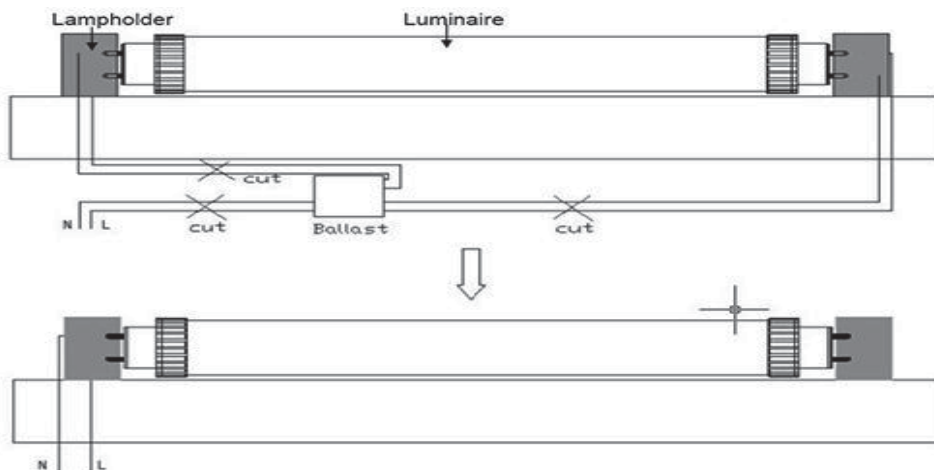
Remark: \* The data above are base on the Wattage (18W)

## 7. Usage:

### • With Inductive ballast



### • with electronic ballast

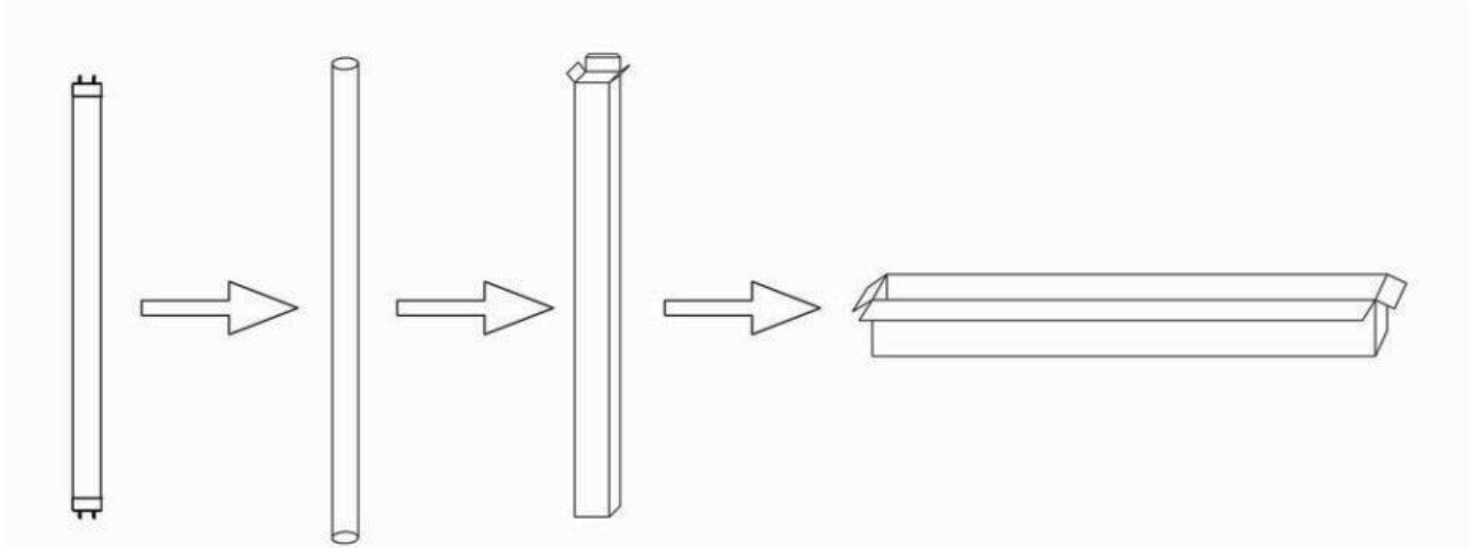


## 8. Cautions:



- The working input voltage for this product is AC100 -277V 60Hz, please ensure the right voltage before running, wrong voltage may cause permanent damage.
- To prevent electric shock, do not touch the metal parts on the ends after connecting electricity.
- Please check it before using, if there are any breakages, please notify your supplier.
- Do not touch the light when it's working.
- Shut off the power before replacing the light.

## **9. Packing:**



- 1pc/polybag/strong round box
- Q'ty/Carton: 25pcs
- Carton size: 1250x210x220mm

## **10. cULus listed, file No. E352810, E361617.**