



Specification

1. Model Number:

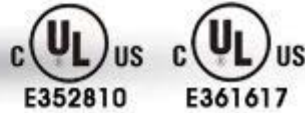
HCL-T812P18S2XD-UL-X

Remarks:

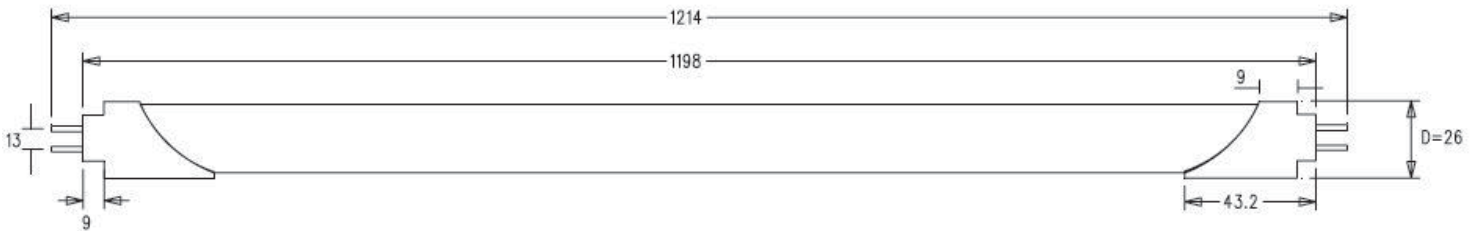
- "12" stands for length 120cm.
- "D" stands for dimmable version.
- The 1st "X" stands for color temperature, **W** means warm white, **N** means natural white, **P** means pure white, **C** means cool white.
- The 2nd "X" stands for cover, **C** means clear cover, **F** means frosty cover.



2. Picture:



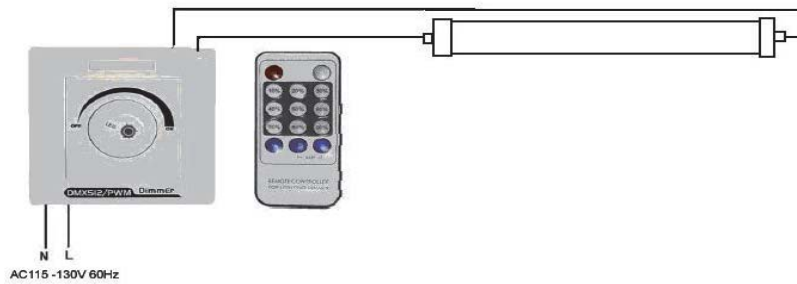
3. Dimension(Unit:mm,±0.5mm):



4. Intramural electro circuit:



5. Driving(test) circuit:

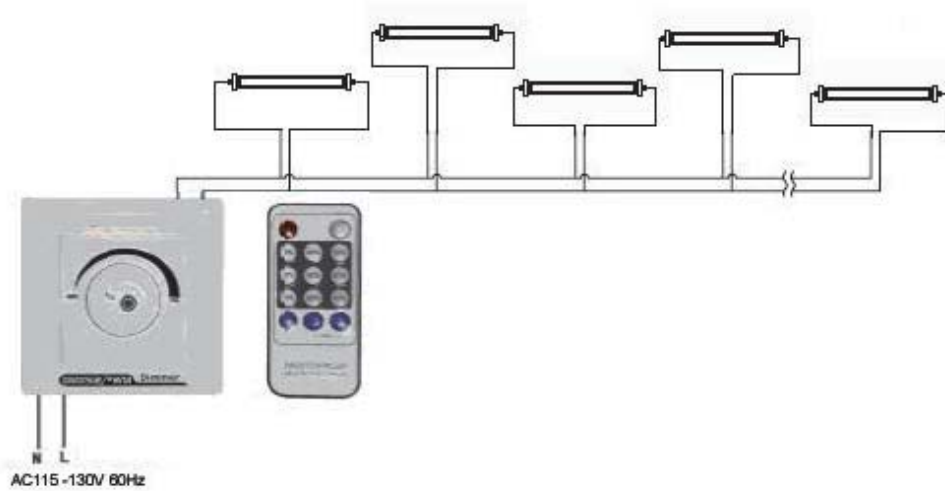


6. Technical data:

| Parameter | symbol | Data | Unit |
|------------------------------|--------|---|--------|
| Size | Ø x L | Ø26 x L1214 | MM |
| Power Consumption | W | 18 | W |
| Input Voltage | V | AC100 -135V 60Hz | -- |
| * Luminous Flux(10w) | Flux | 1800 | Lm |
| LED Type/Q'ty | -- | 180pcs 3014 SMD | -- |
| * Color Temperature (18w) | Tc | Warm white: 2700-3300 Natural white: 3900-4600 Pure white: 4900-5800 Cool white: 6000-7200 | K |
| * Color Rendering Index(18w) | Ra | 70 | -- |
| Beam Angle | -- | 120 | Deg(°) |
| Body Temperature | -- | ≤55℃(at room temperature 28℃) | ℃ |
| Operation Temperature | -- | - 20~+40 | ℃ |
| Base | -- | G13 | -- |
| Outer Housing Material | -- | Aluminum + PC | -- |
| IP grade | -- | 54 | -- |

Remark: * The data above are base on the Wattage (18W)

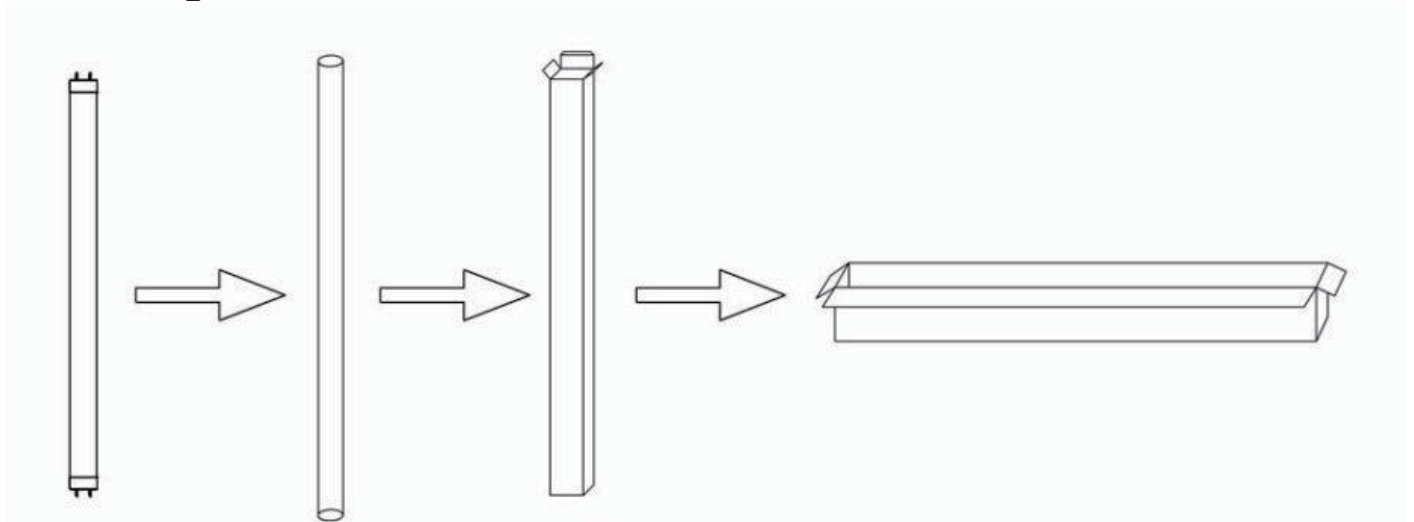
7. Usage:



8. Cautions:

- The working input voltage for this product is AC100-135V, please ensure the right voltage before running, wrong voltage may cause permanent damage.
- To prevent electric shock, do not touch the metal parts on the ends after connecting electricity.
- Please check it before using, if there are any breakages, please notify your supplier.
- Do not touch the light when it's working.
- Shut off the power before replacing the light.

9. Packing:



- 1pc/polybag/strong round box
- Q'ty/Carton: 25pcs
- Carton size: 1250x210x220mm

10. cULus listed, file No. E352810, E361617.