



HCL-D401P12X-D1(dimmable)

Specification

Remarks: X stands for light color, C means cool white, P means pure white and W means warm white, D1 means dimmable

Mechanical Specs

Housing material: Aluminum + Glass

Outer dimension: Φ 196x63mm

Electrical Specs

Power requirement: AC110V/220V (50/60Hz)

Power consumption: Typical:20W Maximum:25W

Environmental Specs

Operating temperature: - 20 ~ 60°C

Storage temperature: - 40 ~ 80°C

Humidity: 0~90% Non condensed

Body temperature: \leq 60°C

MTBF: >50,000hrs

Optical Specs

Beam angle: 60°, 80°

P/N /Color Temperature /Luminous Flux/ Color Rendering Index

HCL-D401P12X-D1: warm white (3000K \pm 10%) / 1100Lm \pm 100Lm / RA>75

HCL-D401P12X-D1: pure white (4500K \pm 10%) / 1100Lm \pm 100Lm / RA>75

HCL-D401P12X-D1: cool white (6500K \pm 10%) / 1200Lm \pm 100Lm / RA>75

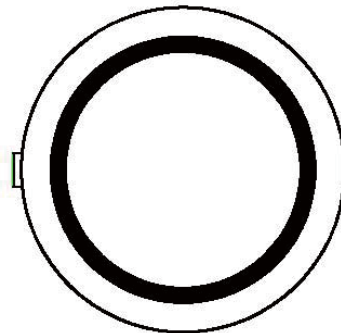
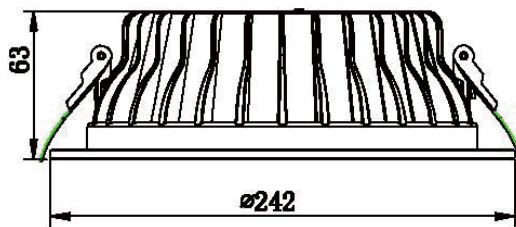
1. Features:

- COB LED as light source, with the features of high brightness, low light decay and long lifespan etc.
- 60 to 80 degrees reflector was specially made to increase luminance uniformity.
- smart design reduces transportation costs.
- high grade heat sinker makes better cooling effects, decrease the LED decay and improve the lifetime.
- Works as a replacement of traditional downlight.

2. Application:

They are widely used in commercial office, home, supermarket, hotel, exhibition hall, warehouse, emporium, museum etc indoor illumination.

3. Picture:



4. Cautions:

- Make sure the working voltage is AC110V or 220V before installation, otherwise, permanent damage may be caused.
- Check the goods before installation and notify your supplier immediately if there is any breakage.
- Don't touch the goods when it's working.
- Turn off the power before installation.
- Indoor use only, IP54.

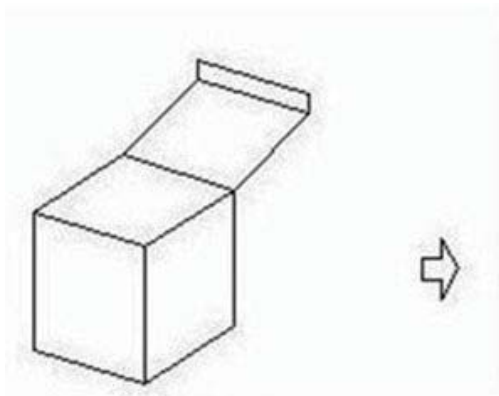
5. Packing:

- 1pc/polybag/white box
- Q'ty/Carton: 20pcs
- Carton size: 45x45x50cm



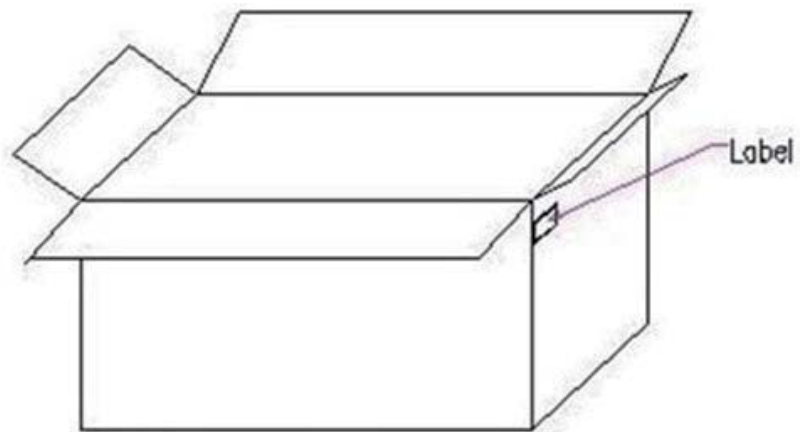
汇晨电子

Specification



25x25x8cm

1pcs/box



45x45x50cm

20pcs/ctn