



## HCL-D601P20X-1

### Specification

**Remarks:** X stands for light color, C means cool white, P means pure white and W means warm white.

#### Mechanical Specs

**Housing material:** Aluminum + Glass

**Outer dimension:**  $\Phi$  196x63mm

#### Electrical Specs

**Power requirement:** AC110V/220V (50/60Hz)

**Power consumption:** Typical:20W Maximum:25W

#### Environmental Specs

**Operating temperature:** - 20 ~ 60°C

**Storage temperature:** - 40 ~ 80°C

**Humidity:** 0~90% Non condensed

**Body temperature:**  $\leq$ 60°C

**MTBF:** >50,000hrs

#### Optical Specs

**Beam angle:** 60°, 80°

**P/N: Color Temperature /Luminous Flux/ Color Rendering Index**

**HCL-D601P20W-1:** warm white (3000K $\pm$ 10%) / 1100Lm  $\pm$ 100Lm / RA>75

**HCL-D601P20P-1:** pure white (4500K $\pm$ 10%) / 1100Lm  $\pm$ 100Lm / RA>75

**HCL-D601P20C-1:** cool white (6500K $\pm$ 10%) / 1200Lm $\pm$ 100Lm / RA>75

### 1. Features:

- COB LED as light source, with the features of high brightness, low light decay and long lifespan etc.
- 60 to 80 degrees reflector was specially made to increase luminance uniformity.
- smart design reduces transportation costs.
- high grade heat sinker makes better cooling effects, decrease the LED decay and improve the lifetime.
- Works as a replacement of traditional downlight.

### 2. Application:

They are widely used in commercial office, home, supermarket, hotel, exhibition hall, warehouse, emporium, museum etc indoor illumination.

### 3. Picture:



汇晨电子

SHENZHEN UNI-SHINE OPTOELECTRONIC CO., LTD.

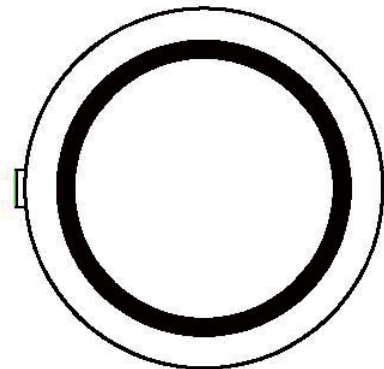
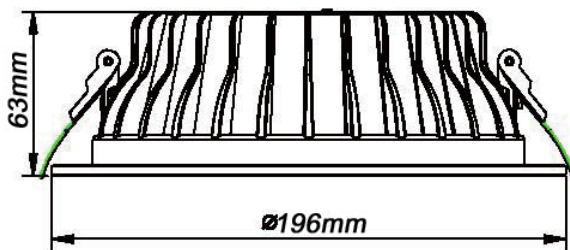
# Specification

Part No: HCL-D601P20X-1

VER: 00

2013-09-01

Page: 3/3



## 4. Cautions:

- Make sure the working voltage is AC110V or 220V before installation, otherwise, permanent damage may be caused.
- Check the goods before installation and notify your supplier immediately if there is any breakage.
- Don't touch the goods when it's working.
- Turn off the power before installation.
- Indoor use only, IP54.

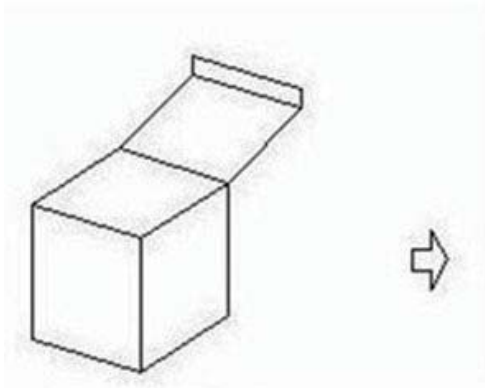
## 5. Packing:

- 1pc/polybag/white box
- Q'ty/Carton: 20pcs



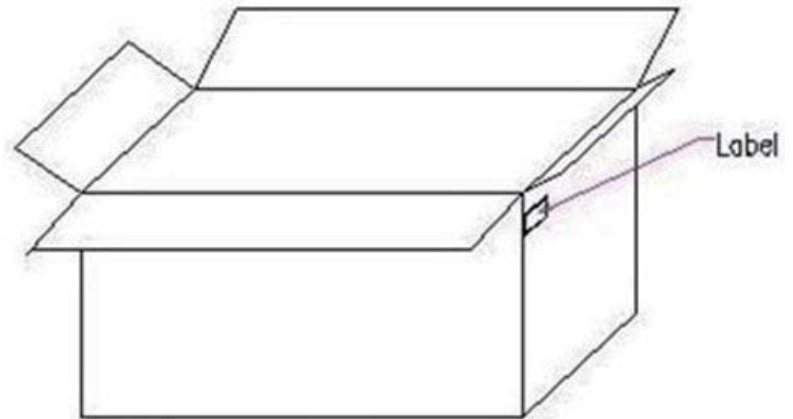
# Specification

- Carton size: 45x45x50cm



25x25x8cm

1pcs/box



45x45x50cm

20pcs/ctn